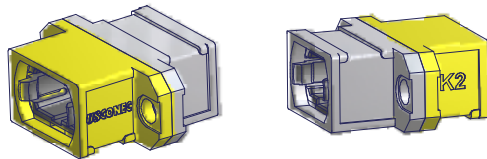
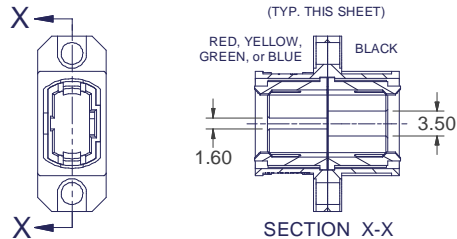
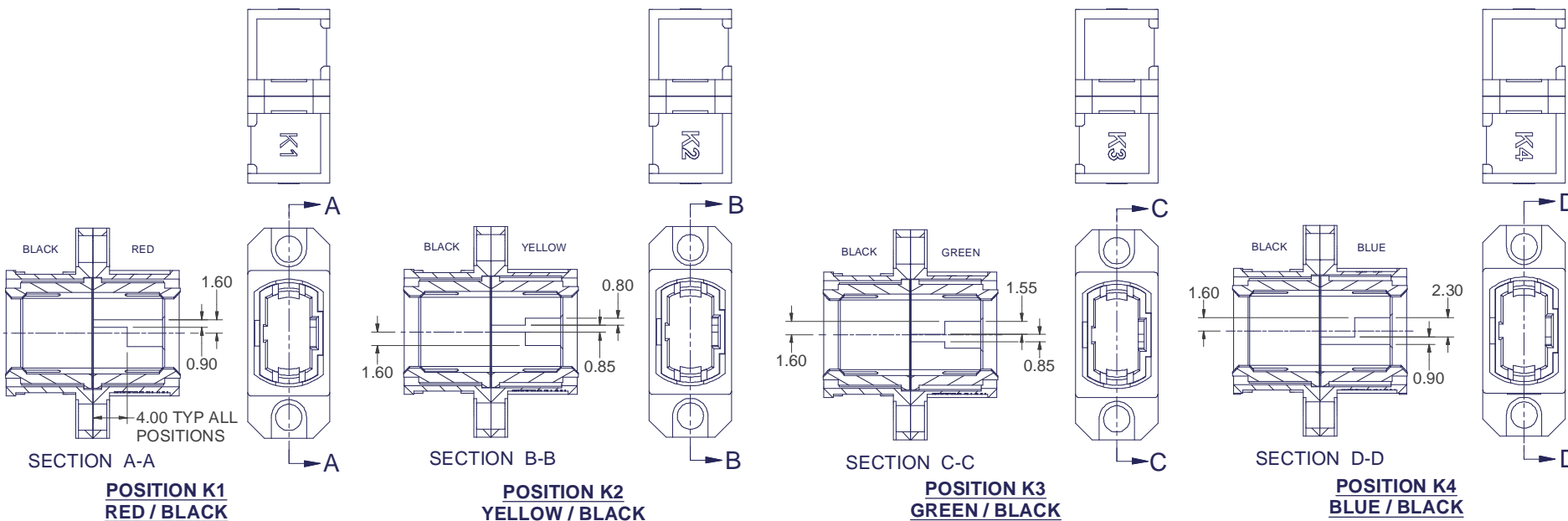


4 | 3 | 2 | 1

**OPPOSITE SIDE KEY DETAIL**  
(TYP. THIS SHEET)



ASSY PART NO.	ADAPTER COLOR	IDENTIFY MARK	KEY POSITION
9190	RED / BLACK	K1	K1 / STD
9191	YELLOW / BLACK	K2	K2 / STD
9192	GREEN / BLACK	K3	K3 / STD
9193	BLUE / BLACK	K4	K4 / STD



**NOTE:**

- INTERFACE DIMENSIONS TO COMPLY WITH TIA / EIA - 604-5 INTERMATEABILITY STANDARD WITH EXCEPTION OF KEYING FEATURES FOR SECURE APPLICATION.

Material: N/A

REV.	DATE	DESCRIPTION	ECN
A	8/29/07	INITIAL RELEASE	00913

**CUSTOMER DRAWING**

DIMENSIONS FOR REFERENCE ONLY

THIRD ANGLE PROJECTION

**METRIC/mm**

**US CONEC** Hickory, NC  
800-769-0944  
www.usconec.com

TITLE  
**ASSY, ADAPTER, STD,  
SECURE KEYED, MTP**

SIZE B S&M Part No.: SEE CHART DWG NO. **C9190** REV. A

SCALE N.T.S. Drafter M. YOUNT Date: 5/22/2007 SHEET 1 OF 2

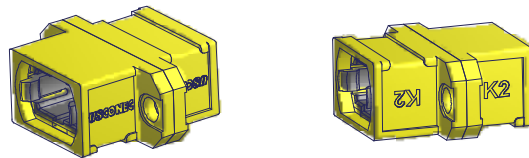
▲ DENOTES CRITICAL DIMENSION.

4

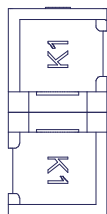
3

2

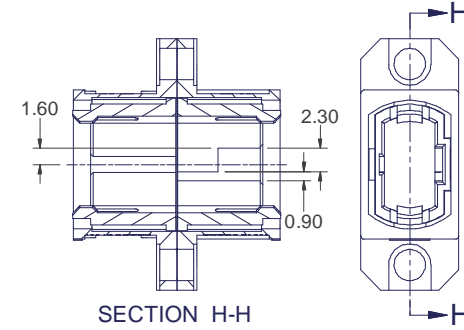
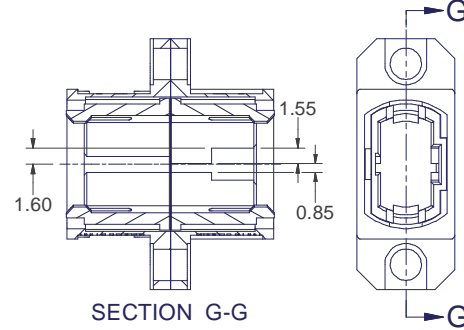
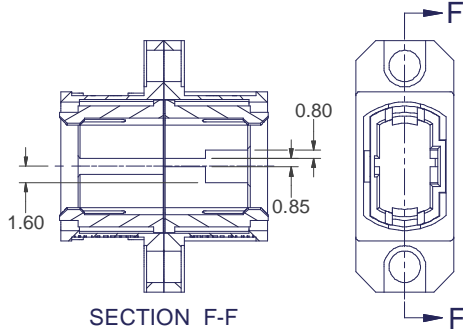
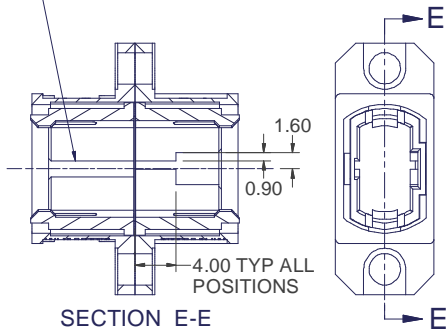
1



ASSY PART NO.	ADAPTER COLOR	IDENTIFY MARK	KEY POSITION
9200	RED / RED	K1	K1 / K1
9201	YELLOW / YELLOW	K2	K2 / K2
9202	GREEN / GREEN	K3	K3 / K3
9203	BLUE / BLUE	K4	K4 / K4



SEE SHEET 1  
OPP. SIDE KEY DETAIL  
4X



SECTION E-E

SECTION F-F

SECTION G-G

SECTION H-H

**POSITION K1**  
**RED / RED**

**POSITION K2**  
**YELLOW / YELLOW**

**POSITION K3**  
**GREEN / GREEN**

**POSITION K4**  
**BLUE / BLUE**

Material:		N/A	
REV.	DATE	DESCRIPTION	ECN
		SEE SHEET 1	

**CUSTOMER DRAWING**

DIMENSIONS FOR REFERENCE ONLY

THIRD ANGLE PROJECTION



**METRIC/mm**

**US CONEC** Hickory, NC  
800-769-0944  
[www.usconec.com](http://www.usconec.com)

TITLE  
**ASSY, ADAPTER, STD,  
SECURE KEYED, MTP**

SIZE	S&M Part No.:	DWG NO.	REV
<b>B</b>	SEE CHART	<b>C9190</b>	<b>A</b>
SCALE	Drafter	Date:	
N.T.S.	M. YOUNT	5/22/2007	

▲ DENOTES CRITICAL DIMENSION.

4

3

2

1