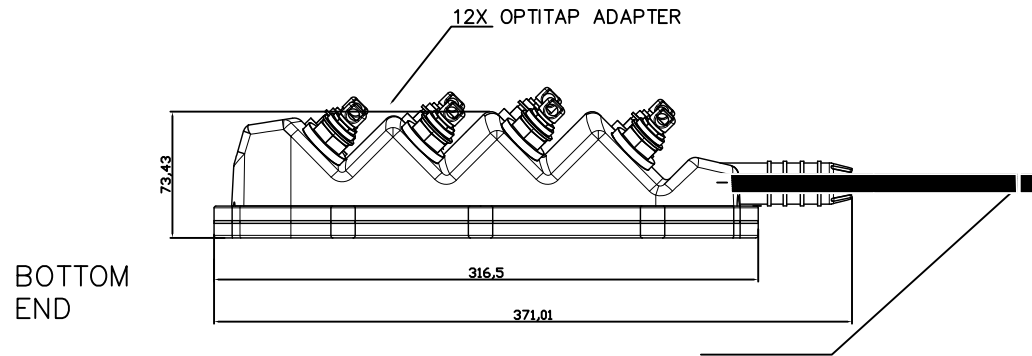


REVISIONS			
REV.	DESCRIPTION	DATE	APPROVED
00			
01			



BOTTOM
END

12F, DIELECTRIC, SM, FLAT-DROP, GEL-FILLED
(G.657.A.1 GLASS)

TOP
END

12-port WIRING CHART

PORT#	FIBER COLOR
1	BLUE
2	ORANGE
3	GREEN
4	BROWN
5	SLATE
6	WHITE
7	RED
8	BLACK
9	YELLOW
10	VIOLET
11	ROSE
12	AQUA

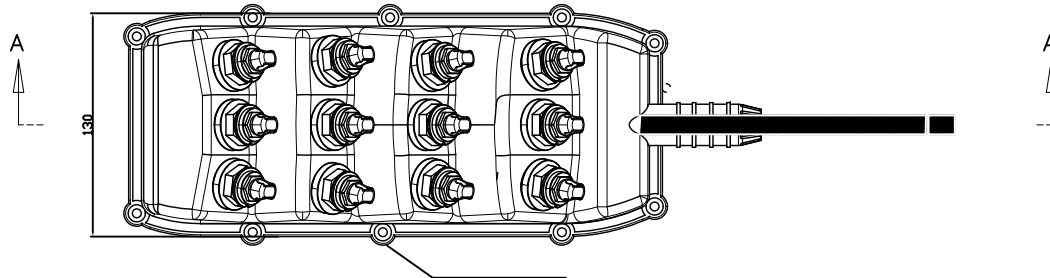
OPTICAL PARAMETERS OPTITAP:
 .50dB - MAX INSERTION LOSS
 .15dB - TYPICAL INSERTION LOSS
 -65dB - RETURN LOSS

TERMINAL TECHNICAL INFORMATION:
 HARDENED PLASTIC UV RESISTANT
 INGRESS PROTECTION IP68
 SEALING MATERIAL : SILICONE RUBBER/INDUSTRIAL GRADE EPOXY

<p>***NOTICE*** THIS DRAWING CONTAINS CONFIDENTIAL AND/OR PROPRIETARY INFORMATION INTENDED FOR THE USE ONLY BY THE INDIVIDUAL(S) SPECIFIED HERE AND ONLY FOR THE PURPOSE(S) PROVIDED AND MUST NOT BE DISCLOSED, COPIED, OR LOANED, IN WHOLE OR IN PART OR USED FOR ANY PURPOSE WITHOUT PRIOR WRITTEN CONSENT FROM NETSOURCE INC.</p>					TITLE:				
DRAWN BY: TA		DATE:		SIZE: CUSTOM		PART NUMBER: DRAWING NUMBER:		REV: 01	
INITIATED BY: SUS		DATE:		SCALE: CUSTOM				SHEET: 1 OF 1	

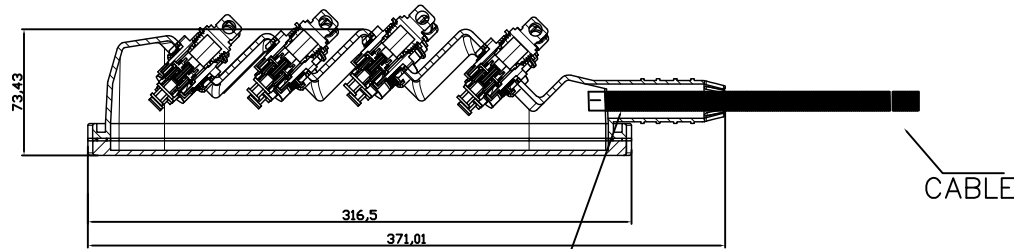
REVISIONS			
REV.	DESCRIPTION	DATE	APPROVED
00			
01			

TOP VIEW



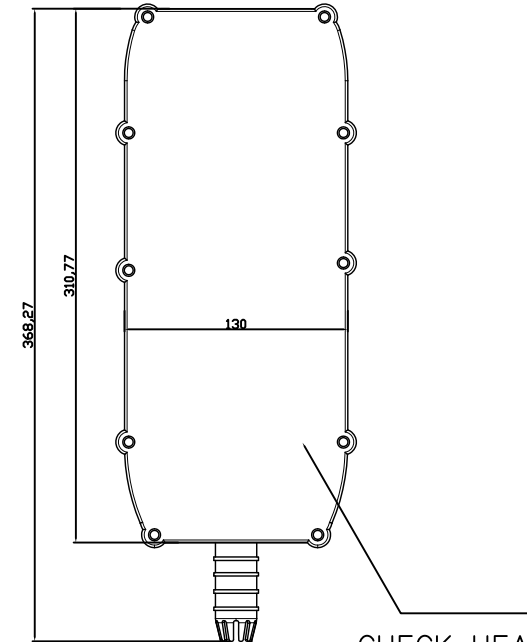
EACH SCREW HEAD TO BE FILLED WITH EPOXY FLUSH TO SURFACE

SECTION A-A



FILL CAVITY WITH EPOXY OVER INSTALLED CABLE

BACK PLATE VIEW



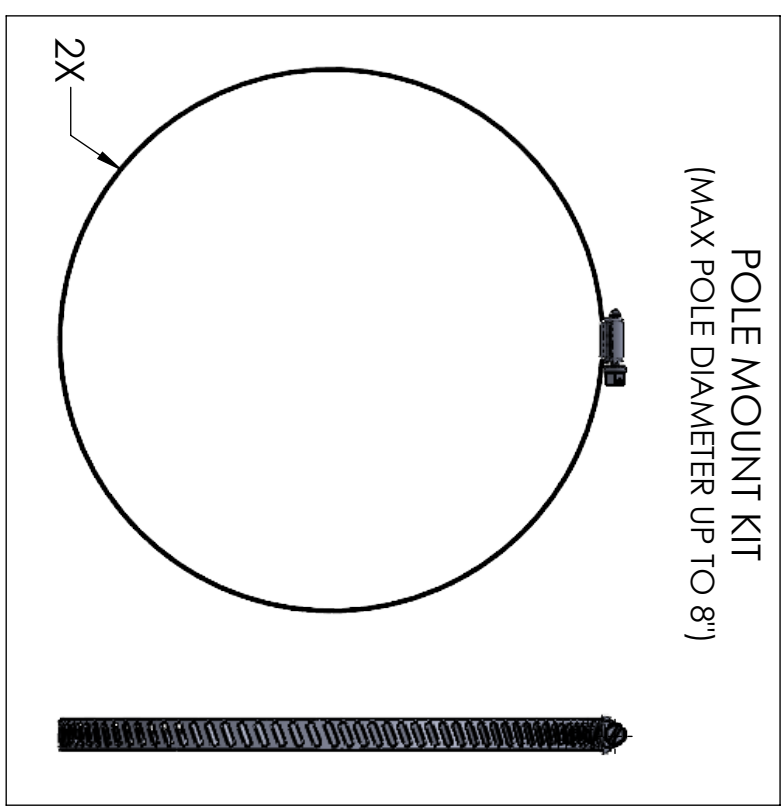
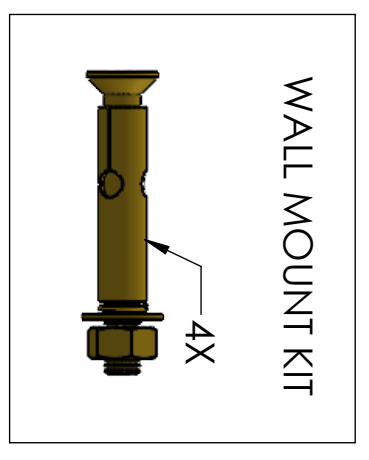
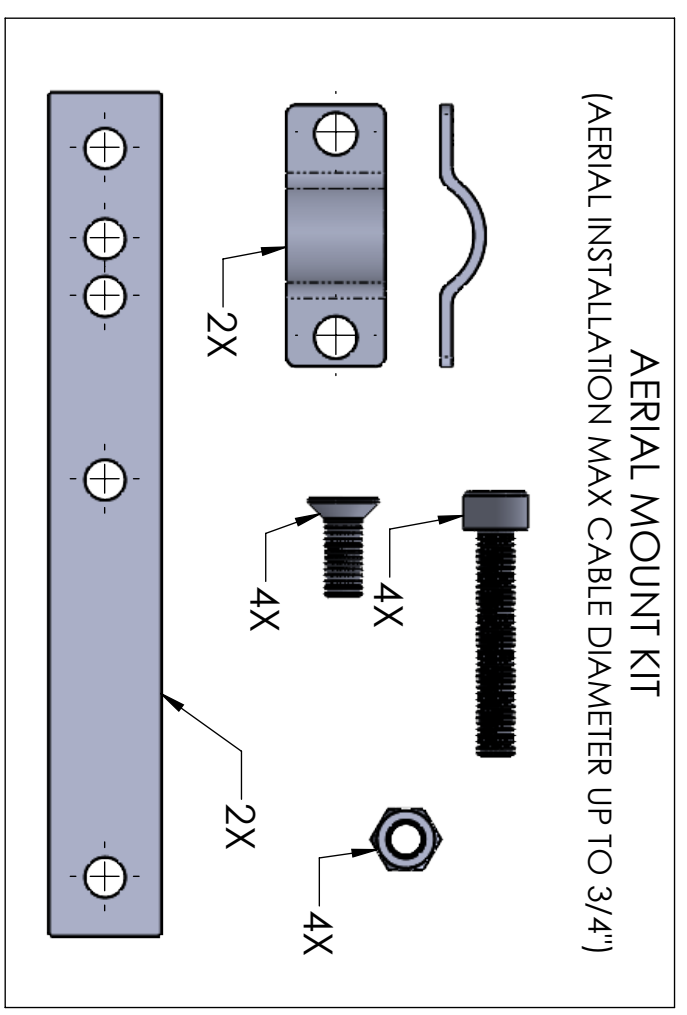
CHECK HEAT PRESS THREAD INSERTS (INSERTS MUST BE FLUSH WITH SURFACE NOT INDENTED)

<p>***NOTICE*** THIS DRAWING CONTAINS CONFIDENTIAL AND/OR PROPRIETARY INFORMATION INTENDED FOR THE USE ONLY BY THE INDIVIDUAL(S) SPECIFIED HERE AND ONLY FOR THE PURPOSE(S) PROVIDED AND MUST NOT BE DISCLOSED, COPIED, OR LOANED, IN WHOLE OR IN PART OR USED FOR ANY PURPOSE WITHOUT PRIOR WRITTEN CONSENT FROM NETSOURCE INC.</p>					TITLE:				
DRAWN BY:		DATE:		SIZE:		DRAWING NUMBER:		REV: 01	
TA				CUSTOM					
INITIATED BY:		DATE:		SCALE:				SHEET:	
SUS				CUSTOM				1 OF 1	

REVISIONS			
REV.	DESCRIPTION	DATE	APPROVED
00			
01			

MOUNTING KITS

INCLUDE THE FOLLOWING KITS WITH EVERY 12-PORT ASSEMBLY



*****NOTICE*****
THIS DRAWING CONTAINS CONFIDENTIAL AND/OR PROPRIETARY INFORMATION INTENDED FOR THE USE ONLY BY THE INDIVIDUAL(S) SPECIFIED HERE AND ONLY FOR THE PURPOSE(S) PROVIDED AND MUST NOT BE DISCLOSED, COPIED, OR LOANED, IN WHOLE OR IN PART OR USED FOR ANY PURPOSE WITHOUT PRIOR WRITTEN CONSENT FROM NETSOURCE INC.

TITLE:

DRAWN BY:	DATE:	SIZE:	PART NUMBER:	REV: 01
TA		CUSTOM	DRAWING NUMBER:	
INITIATED BY:	DATE:	SCALE:		SHEET:
SUS		CUSTOM		1 OF 1