

FWDM Spec.

1. Product information:

Part Number: FWDMM-XXX27XLU-01

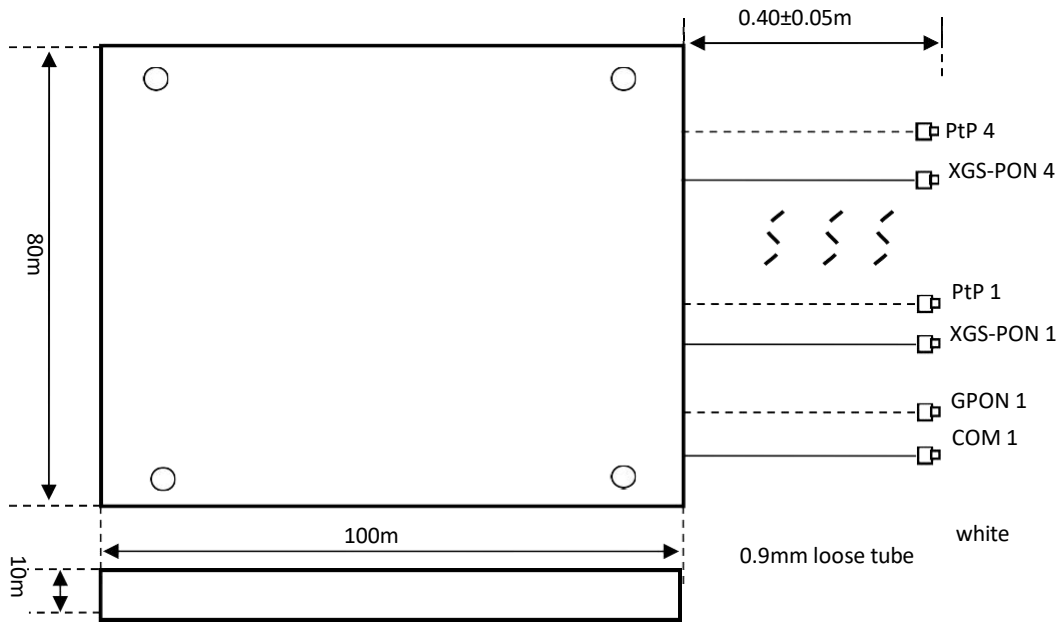
Description: GPON,XSGPON WDM Module, with LC/UPC Connector, fiber length 0.40 ± 0.05 m,Package dimensions: 1U LGX.

2. Performance Specifications

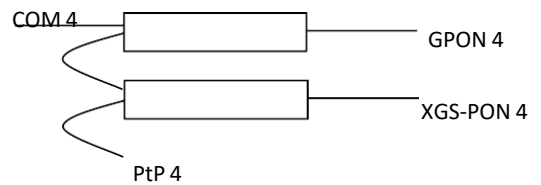
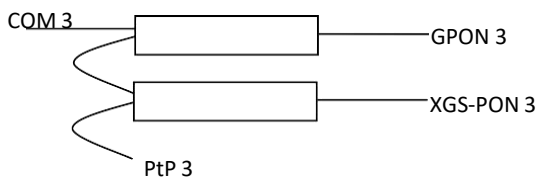
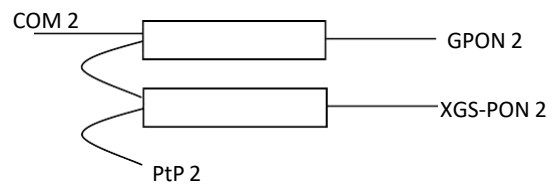
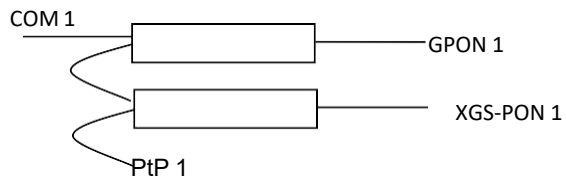
Parameters			Unit	Specifications
Operating Wavelength			nm	1260~1620
Channel Count			CH	4-1×3
Channel Passband	GPON	Min	nm	1290~1330&1480~1500
	XGS-PON	Min	nm	1260~1280&1575~1581
	PtP	Min	nm	1524~1544 & 1596~1675
Insertion Loss	GPON@1310&1490	Max	dB	1.00
	XGS-PON@1270&1577	Max	dB	1.25
	PtP@1530&1650	Max	dB	1.00
Isolation	GPON	Min	dB	30
	XGS-PON	Min	dB	30
	PtP	Min	dB	15
Passband Ripple		Max	dB	0.50
Polarization Dependent Loss		Max	dB	0.20
Directivity		Max	dB	50
Return Loss		Max	dB	45
Polarization Mode Dispersion		Max	ps	0.10
Power Handling		Max	mW	500
Adaptor and Connector Type				LC/UPC
Fiber Type			-	G657 A
Fiber Length			m	0.40 ± 0.05
Operating Temperature			°C	-10~+ 70
Storage Temperature			°C	-40 ~+ 85
Package Dimension			mm	1U LGX

Remark:Specifications include connector.

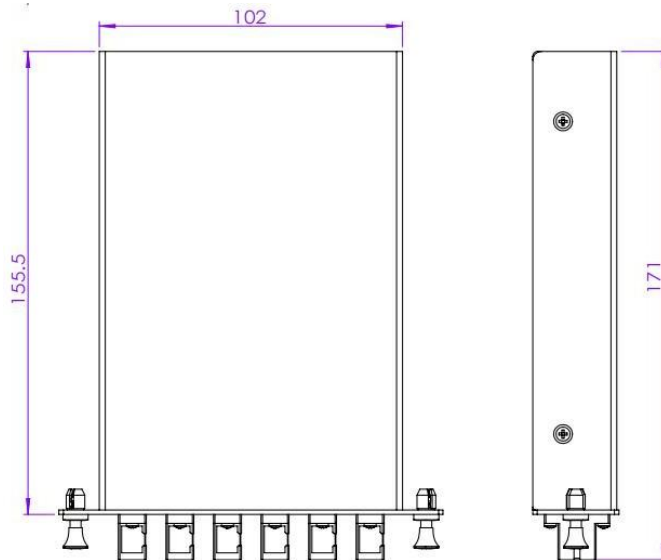
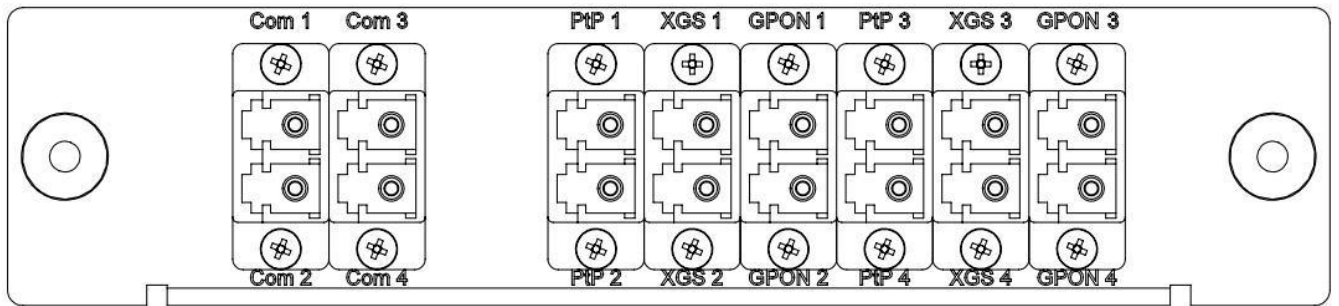
3. Package drawing



4. Configuration drawing



5. Mechanical drawings



6. Test Report

The test report should be provided when the products are delivered. The test data should include the following information:

- (1) Insertion loss (room temperature)
- (2) Fiber length、Fiber type and Pigtail type etc
- (3)PN、SN bar code

7. Packaging

Packing with opaque material box



-----End-----